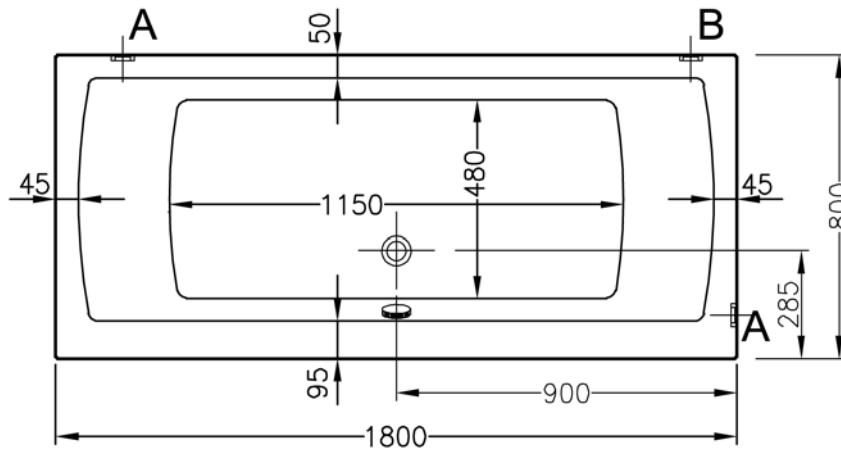


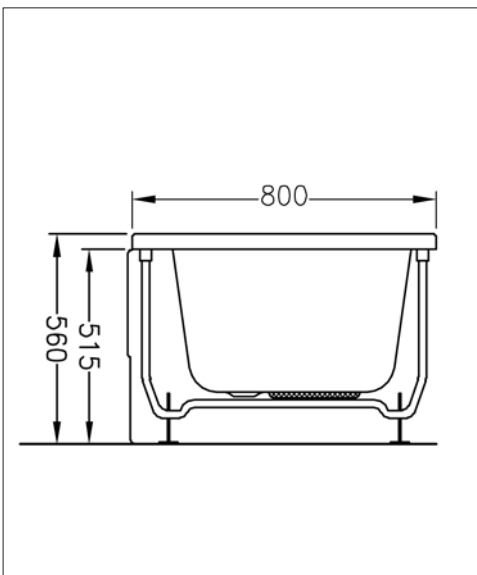
NEON RECTANGULAR DOUBLE ENDED 180x80 cm

VitrA®

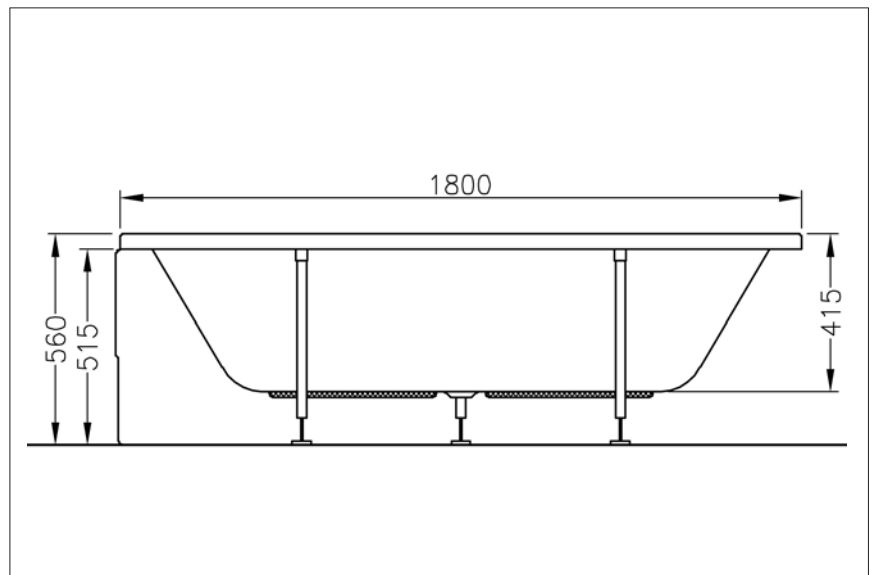
Size (cm)	: 180x80
Height (cm)	: 56
Weight (kg)	: 24
Front Panel Weight (kg)	: 5.5
Side Panel Weight (kg)	: 3
Volume (lt)	: 208
Available massage systems:	Duo Soft Aqua Maxi Aqua Soft Aqua Soft Easy



Plan



Side View



Front View



Detail A



Detail B

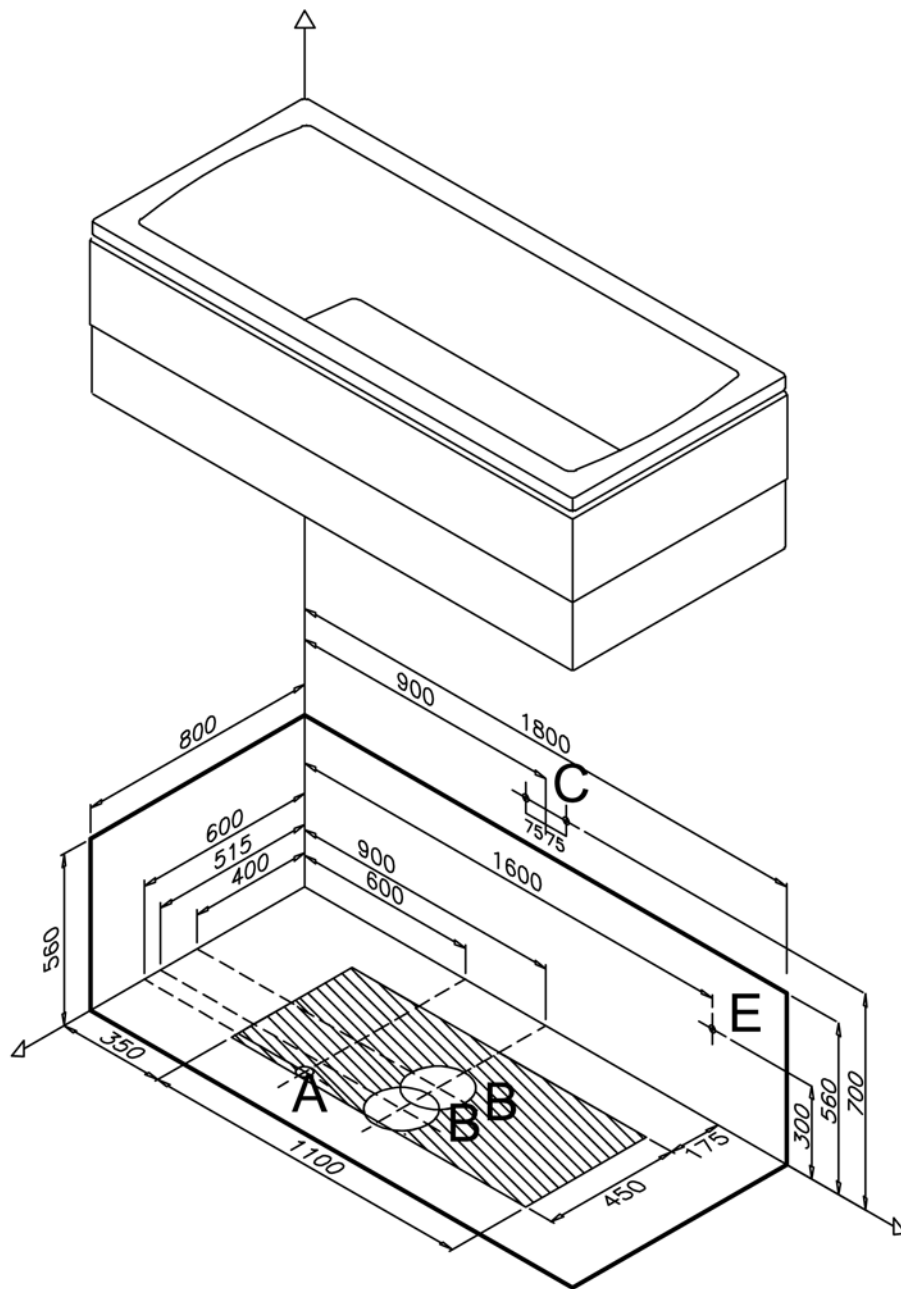
- As shown in Figure Plan, the wall hangers (details A-B) are used to fix the product to the wall. It is suggested to use the wall hangers to rigid the bathtub.

Points to Notice:

- Neon Rectangular Doubleended 180x80 is a symmetrical model. The siphone hole and siphone controlling handle are in the middle. Therefore, it is convenient for double-ended usage.
- An elbow and a waste connection hose of 50 mm. will be delivered with the product but an edge lath and other accessories are not included.
- The place where the product will be installed should be straight.
- During the installation of the panels, the adjustment of the leg set should be carried out according to the height of the panel.
- The electrical system is running with 220 volt (with earth connection). For its connection a 3x2,5 mm. cable should be used.
- The product should be protected with an appropriate ampere fuse (for Duo Maxi System 20 ampere, for Duo Soft System 16 ampere, for Aqua Maxi and Aqua Soft Systems 10 ampere) and the amper fuse should be closed when it is not used.
- The faucet should not be applied on the pump of the hydromassage bathtub.
- The spout should be min 15 cm. if the faucets are installed to the wall.
- For the cleaning of the acrylic bathtub look at the User Manual.
- Waste connection fuse, wall hangers and user manual are delivered with the product.

Faucet Applications

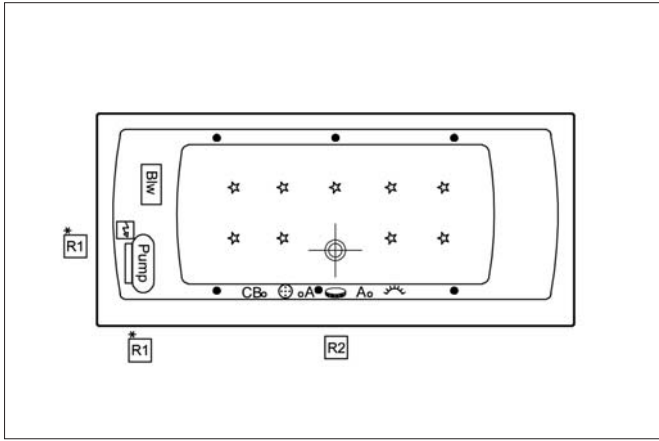
ANY APPLICATION OF TABS ON THIS BATHTUB IS NOT POSSIBLE.



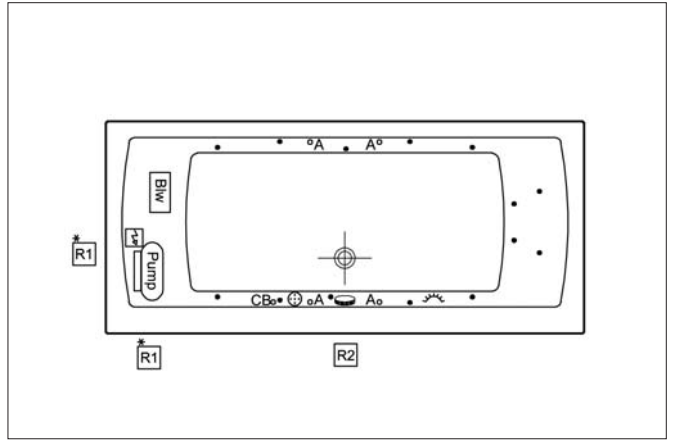
- ▣ : The area where the waste outlet (ø 50 mm) can be placed in.
- A : Ideal position of the waste outlet (ø 50 mm). The end point of the waste outlet should not be cut out, and should be left at least 50 mm. above the surface.
- B : The area (ø 200 mm.) where the waste outlet should not be left.
- C : Hot & cold water inlet for the wall taps.
- D : Hot & cold water inlet for the taps on the bathtub.
- E : Measures for electrical connection of whirlpool tubs.

There is no need to leave additional space for the silicone during the installation process. It is enough to prepare the required area according to the size of the product.

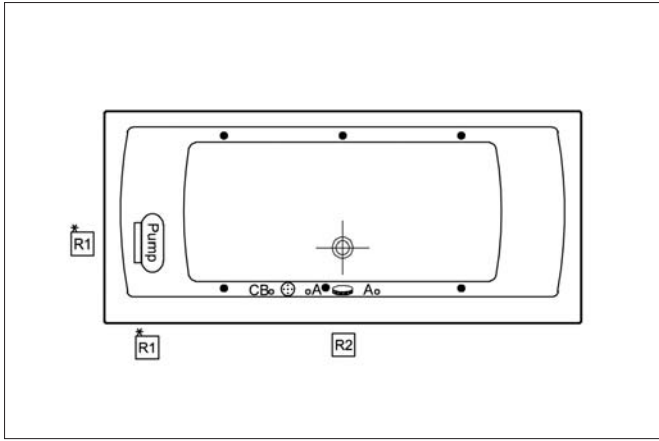
Massage Systems



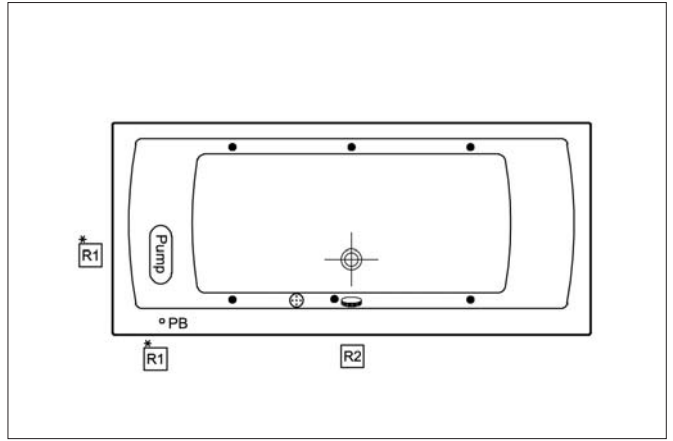
Duo Soft



Aqua Maxi



Aqua Soft

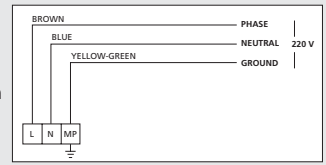


Aqua Soft Easy

	Pump		Air Jets
	Electronic Control Panel		Waste
	Transformer		Water Jets
	Blower		Micro Water Jets
	Control Button		Underwater Light
	Air Controller		Water Suction Filter
	Push Button		

IMPORTANT!

- For the electrical connection of the hydromassage bathtubs, earth connection is necessary.
- The cable connection of the hydromassage bathtubs should be applied as shown in the Figure.
- Check whether the yellow-green earth cables bound with the metal parts placed under the hydromassage bathtubs are connected to all legs.



If the bathtub is used without panels, the following airing and access windows should be applied:

- Access window (min. 400x400 mm.)
- Airing and access window (min. 400x400 mm.)
- Access window (min. 400x400 mm.)
- Airing and access window (min. 250x250 mm.)