

HELICE Ø 150 cm

VitroA®

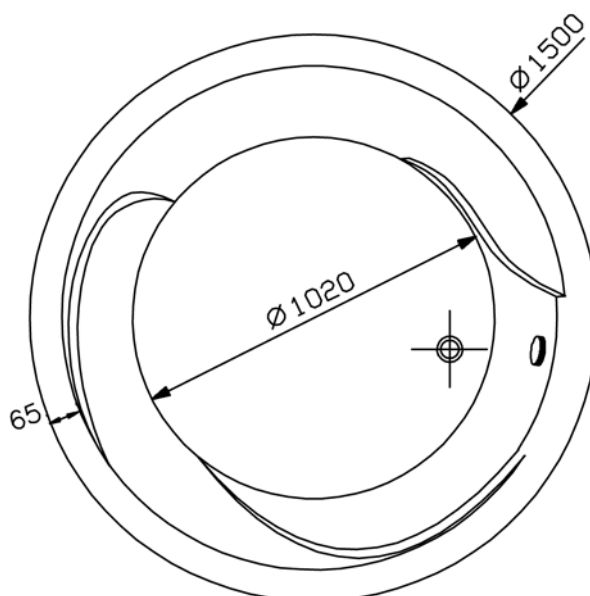
Size (cm) : Ø 150

Height (cm) : 58

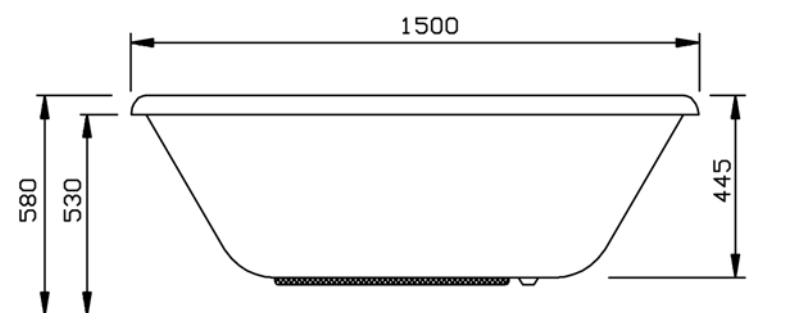
Weight (kg) : 36

Volume (lt) : 350

Available massage systems : Duo Maxi
Duo Soft
Aqua Maxi
Aqua Soft
Aqua Soft Easy



Plan

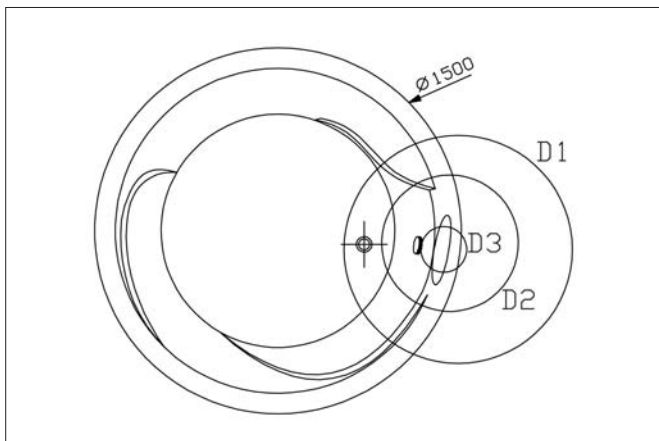


Front View

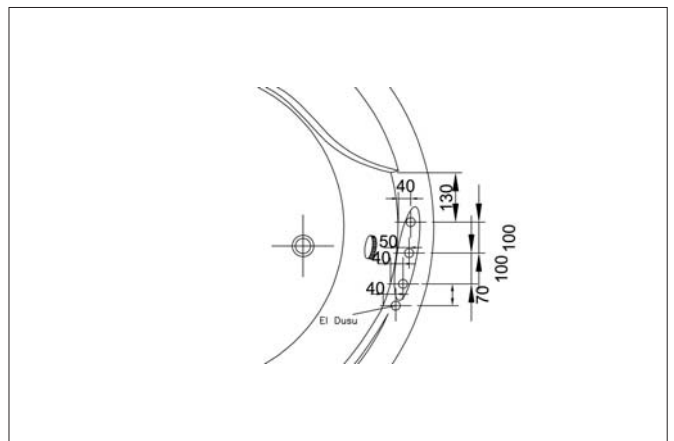
Points to Notice:

- An elbow and a waste connection hose of 50 mm. will be delivered with the product but an edge lath and other accessories are not included.
- The place where the product will be installed should be straight.
- For the built-in applications, a space with a radius of 1460 mm should be left.
- The height of the platform for the built-in applications should be 530 cm from the finished floors.
- For the products to be built-in, a motor airing and an access window should be left to the left side of the siphone (The direction can be determined by looking from the siphone side to the product) This window should be easily opened in case of defect.
- The electrical system is running with 220 volt (with earth connection). For its connection a 3x2,5 mm. cable should be used.
- The product should be protected with an appropriate ampere fuse (for Duo Maxi System 20 ampere, for Duo Soft System 16 ampere, for Aqua Maxi and Aqua Soft Systems 10 ampere) and the amper fuse should be closed when it is not used.
- The faucet applications should be from the points shown in the drawings below which are indicated with stickers on the product.
- The spout should be min 15 cm. if the faucets are installed to the wall.
- Handgrip application for this product is not available.
- For the cleaning of the acrylic bathtub look at the User Manual.
- Waste connection fuse, wall hangers and user manual are delivered with the product.

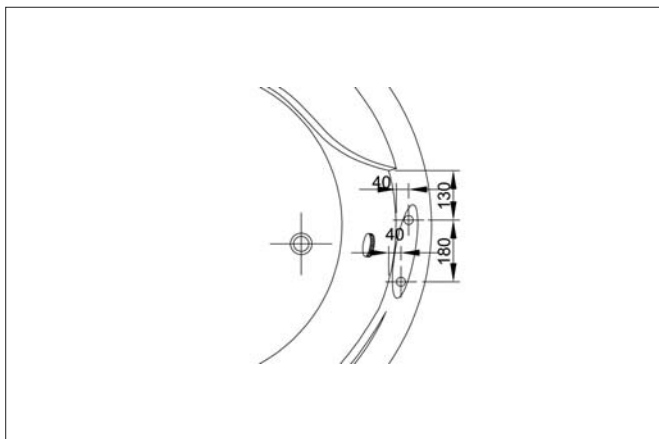
Faucet Applications



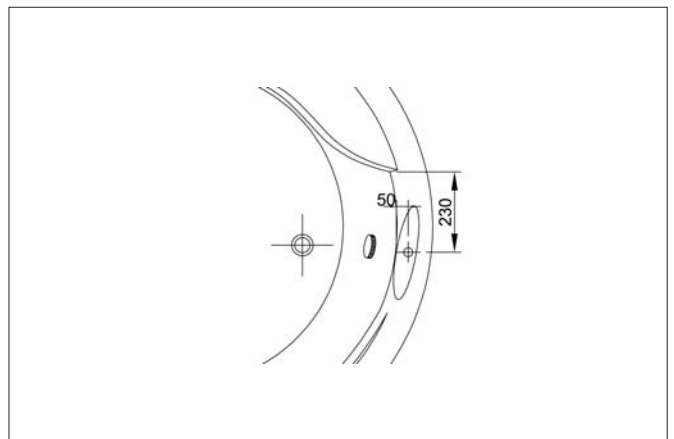
Faucet Application Places



Bath Filler 4 Holes

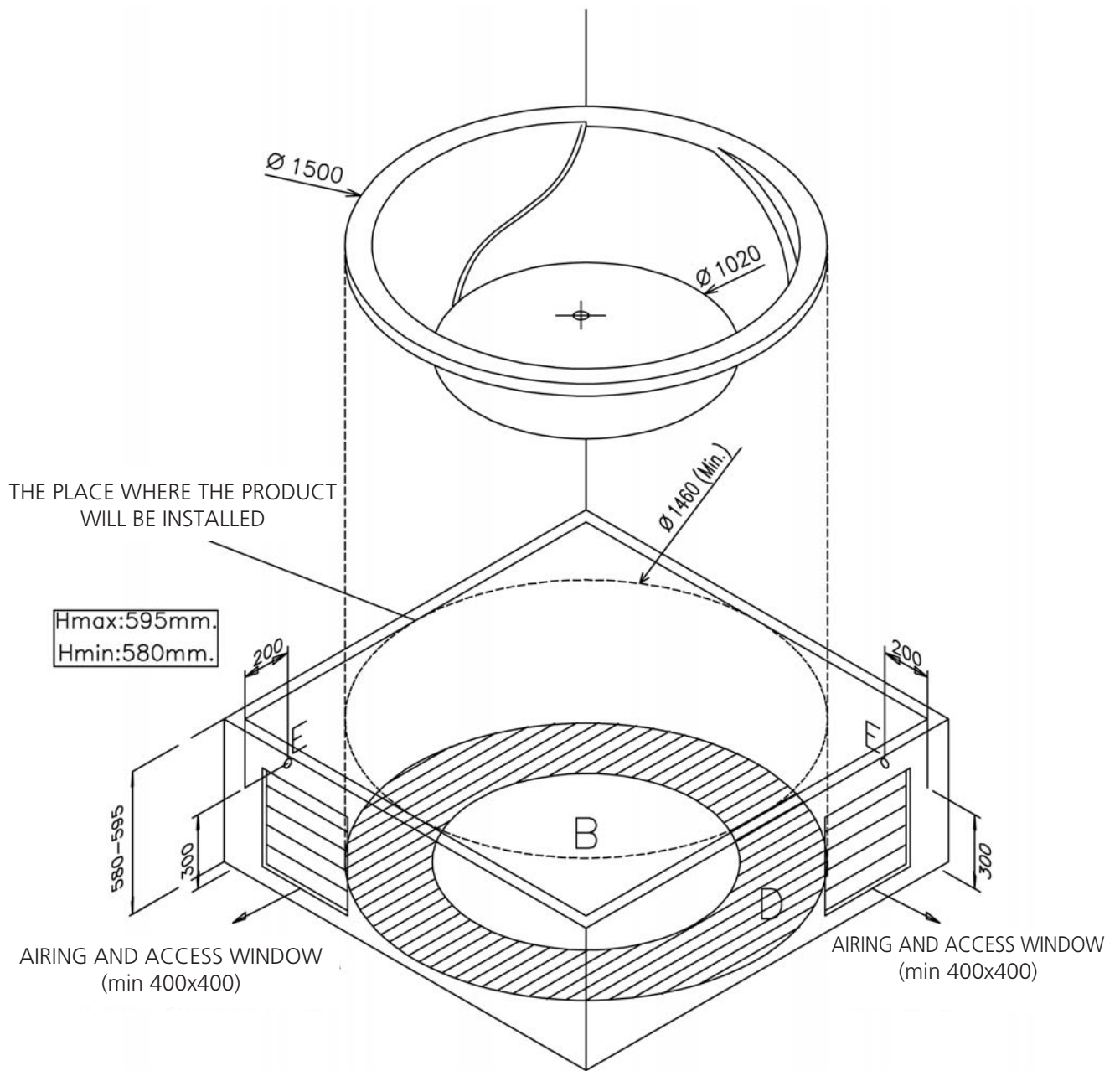


Bath Filler 2 Holes



Bath Filler one Hole

* Built-in application



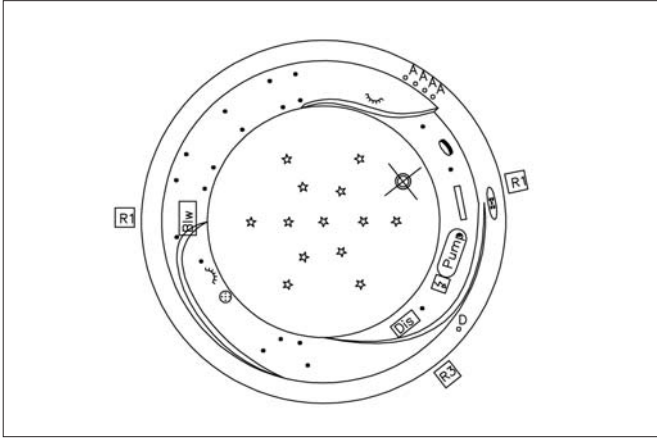
- \square : The area where the waste outlet ($\varnothing 50$ mm.) can be placed in.
- B** : The area ($\varnothing 1120$ mm.) where the waste outlet should not be left.
- D** : Hot & cold water inlet for the taps on the bathtub.
- E** : Measures for electrical connection of whirlpool tubs.

ATTENTION!

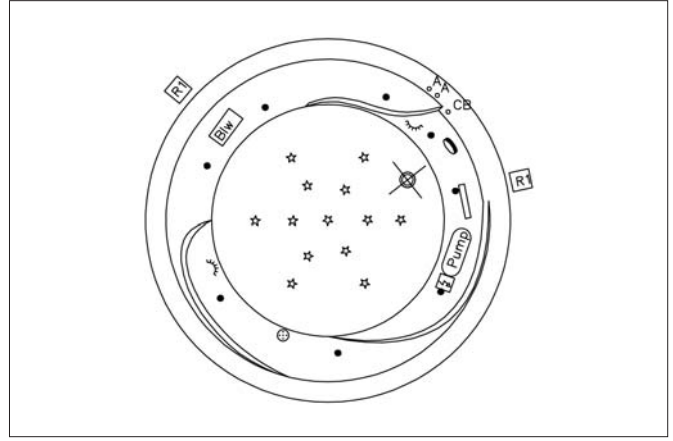
- Two control windows (airing) should be left
- One of the control windows of the hidromassage products should be left to access of the pump
- The size of the windows should be min 400mm x 400mm

Perspective

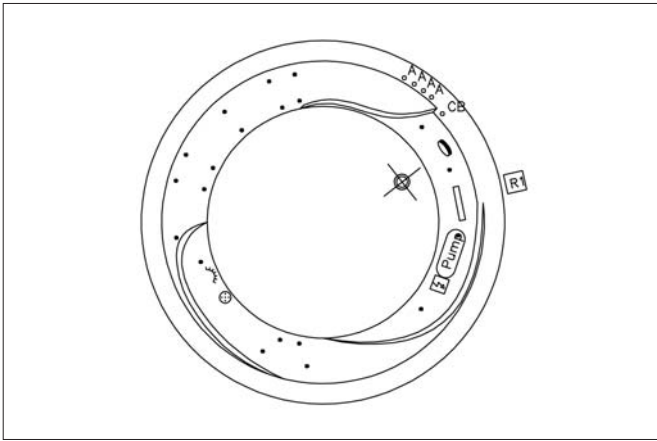
Massage Systems



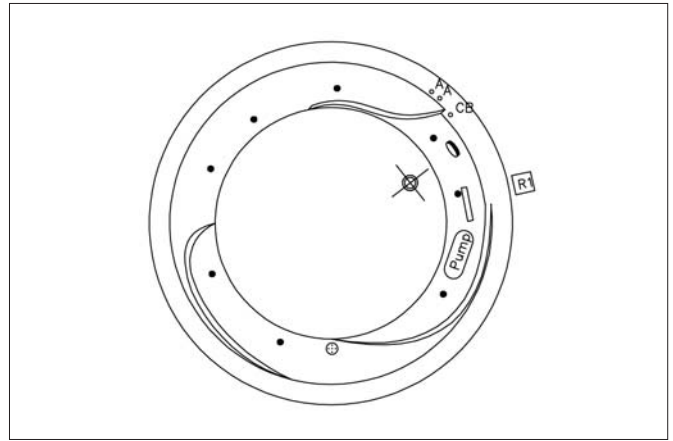
Duo Maxi



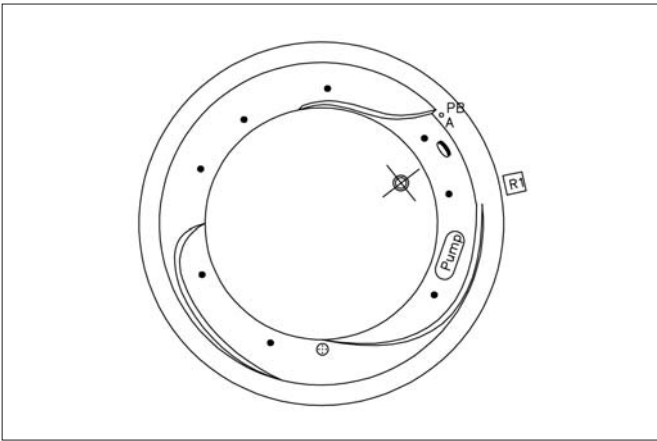
Duo Soft



Aqua Maxi



Aqua Soft



Aqua Soft Easy

If the bathtub is used without panels, the following airing and access windows should be applied:

- [R1] Access window (min. 400x400 mm.)
- [R2] Access window (min. 400x400 mm.)

IMPORTANT!

- For the electrical connection of the hydromassage bathtubs, earth connection is necessary.
- The cable connection of the hydromassage bathtubs should be applied as shown in the Figure.
- Check whether the yellow-green earth cables bound with the metal parts placed under the hydromassage bathtubs are connected to all legs.

Pump	Disinfection Tank Lid
Electronic Control Panel	Air Jets
Transformer	Waste
Blower	Water Jets
Control Button	Micro Water Jets
Air Controller	Underwater Light
Push Button	Water Suction Filter