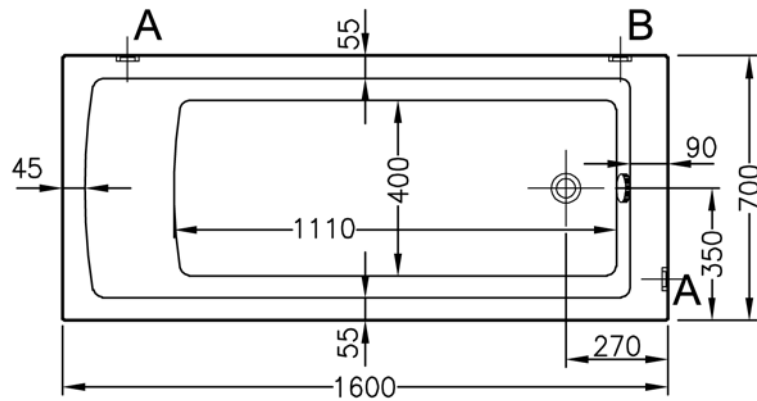


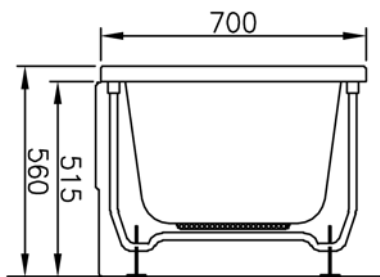
NEON RECTANGULAR 160x70 cm

VitroA®

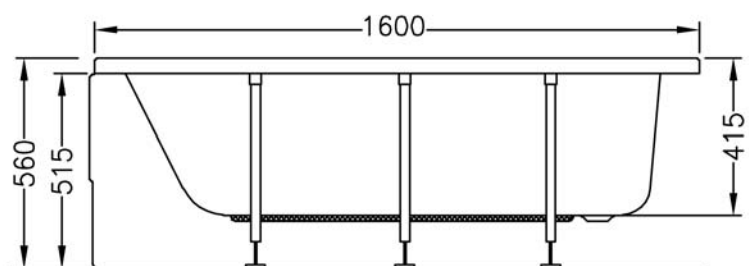
Size (cm)	: 160x70
Height (cm)	: 56
Weight (kg)	: 20
Front Panel Weight (kg)	: 4.5
Side Panel Weight (kg)	: 2
Volume (lt)	: 175
Available massage systems	: Aqua Soft Aqua Soft Easy



Plan



Side View



Front View



Detail A



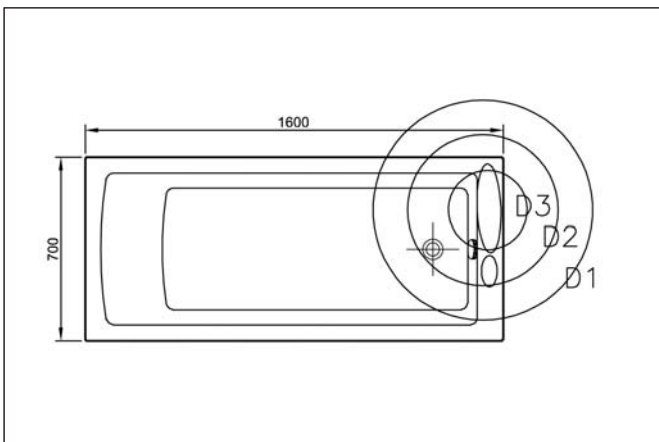
Detail B

- As shown in Figure Plan, the wall hangers (details A-B) are used to fix the product to the wall. It is suggested to use the wall hangers to rigid the bathtub.

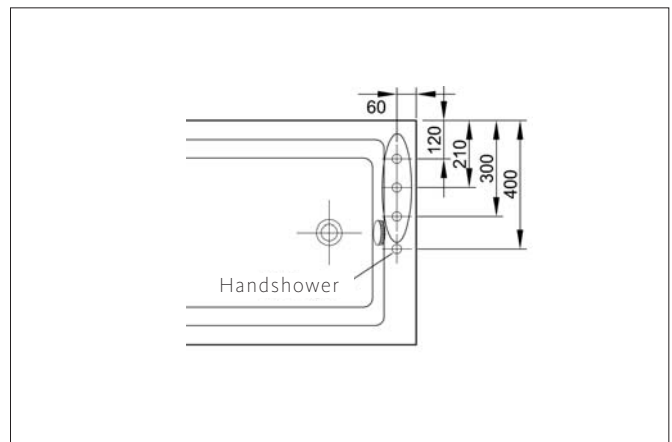
Points to Notice:

- An elbow and a waste connection hose of 50 mm. will be delivered with the product but an edge lath and other accessories are not included.
- The place where the product will be installed should be straight.
- An airing and access window should be left if the hydromassage bathtub is installed without panels.
- The corner bathtubs should not be installed to an U-shaped place.
- During the installation of the panels, the adjustment of the leg set should be carried out according to the height of the panel.
- The electrical system is running with 220 volt (with earth connection). For its connection a 3x2,5 mm. cable should be used.
- The product should be protected with an appropriate ampere fuse (for Duo Maxi System 20 ampere, for Duo Soft System 16 ampere, for Aqua Maxi and Aqua Soft Systems 10 ampere) and the amper fuse should be closed when it is not used.
- The faucet applications should be from the points shown in the drawings below which are indicated with stickers on the product.
- The faucet should not be applied on the pump of the hydromassage bathtub.
- The spout should be min 17 cm. if the faucets are installed to the wall.
- For the cleaning of the acrylic bathtub look at the User Manual.
- Waste connection fuse, wall hangers and user manual are delivered with the product.

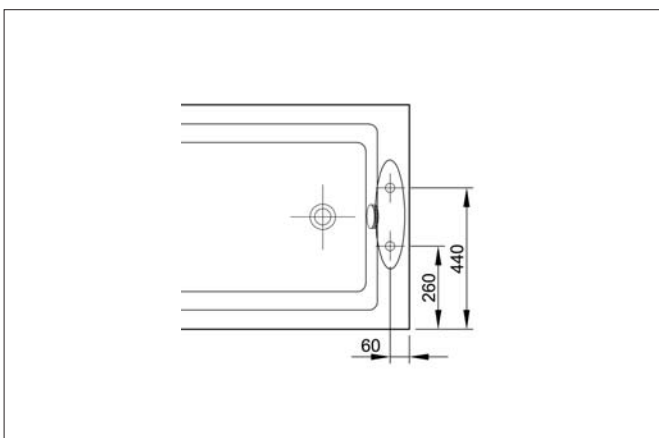
Faucet Applications



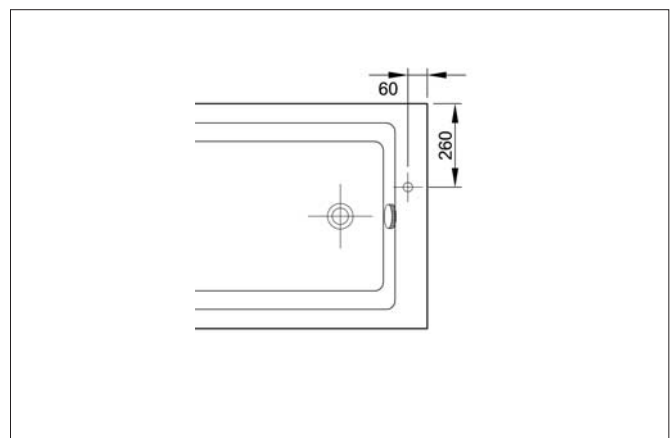
Faucet Application Places



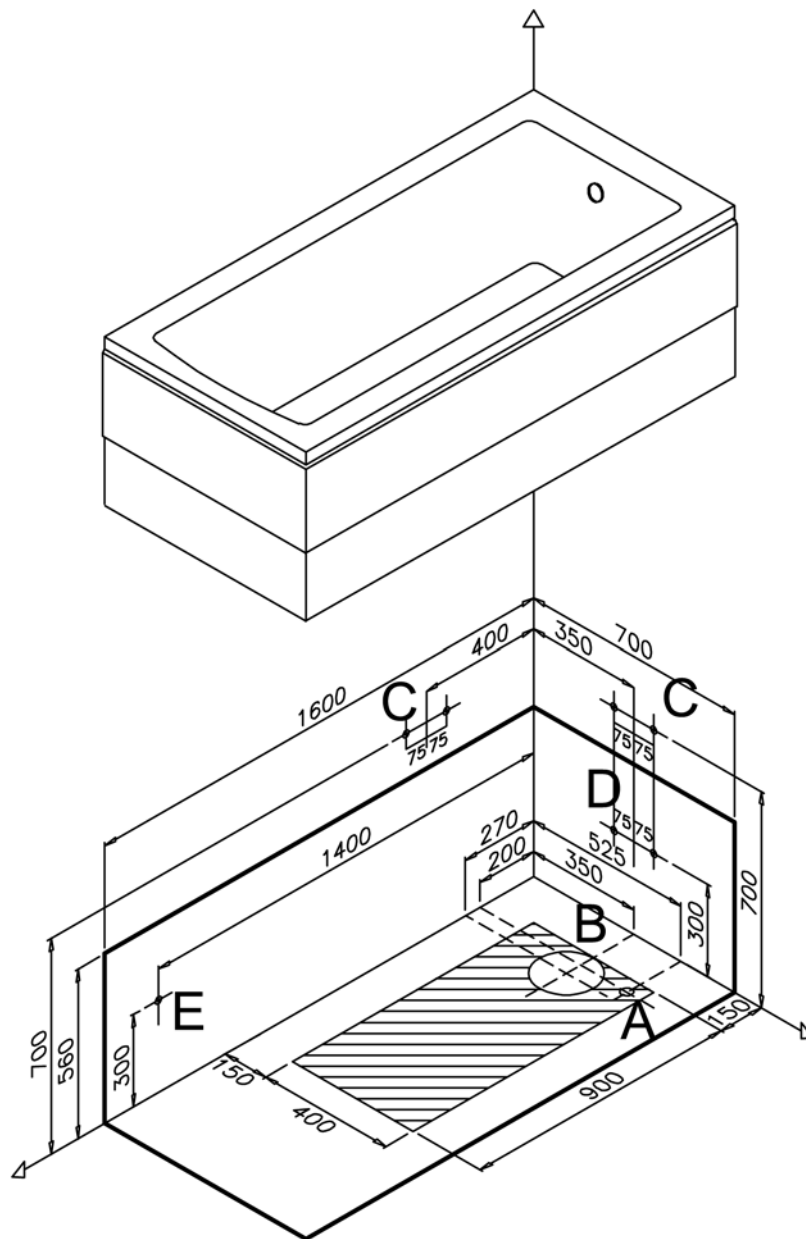
Bath Filler 4 Holes



Bath Filler 2 Holes



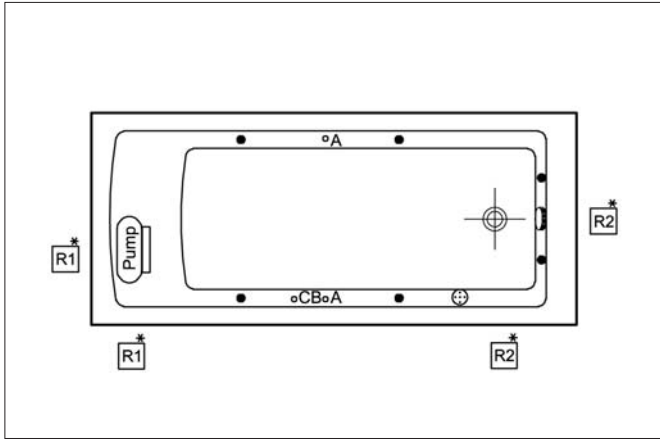
Bath Filler one Hole



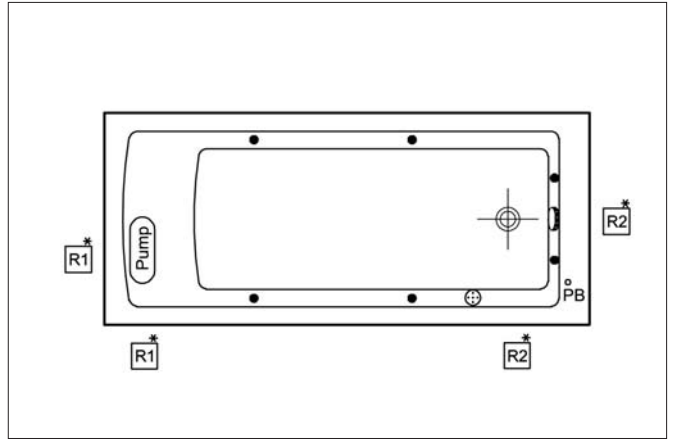
- ☒ : The area where the waste outlet (ø 50 mm) can be placed in.
- A** : Ideal position of the waste outlet (ø 50 mm). The end point of the waste outlet should not be cut out, and should be left at least 50 mm. above the surface.
- B** : The area (ø 200 mm.) where the waste outlet should not be left.
- C** : Hot & cold water inlet for the wall taps.
- D** : Hot & cold water inlet for the taps on the bathtub.
- E** : Measures for electrical connection of whirlpool tubs.

There is no need to leave additional space for the silicone during the installation process. It is enough to prepare the required area according to the size of the product.

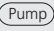

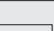
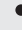
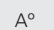

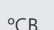

Massage Systems







Aqua Soft



Aqua Soft Easy

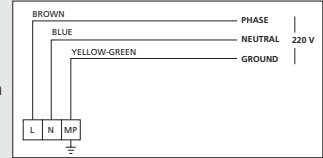
	Pump		Waste
	Electronic Control Panel		Water Jets
	Air Controller		Water Suction Filter
	Control Button		Push Button

If the bathtub is used without panels, the following airing and access windows should be applied:

-  Access window (min. 400x400 mm.)
-  Airing and access window (min. 400x400 mm.)
-  Access window (min. 400x400 mm.)
-  Airing and access window (min. 250x250 mm.)

IMPORTANT!

- For the electrical connection of the hydromassage bathtubs, earth connection is necessary.
- The cable connection of the hydromassage bathtubs should be applied as shown in the Figure.
- Check whether the yellow-green earth cables bound with the metal parts placed under the hydromassage bathtubs are connected to all legs.



VitrA Bathtubs Co.

Cumhuriyet Mah. 13. Sok. No: 10 Şekerpınar 41400 Gebze / Kocaeli / Turkey

Tel: +90 (262) 648 95 00 (pbx) Fax: +90 (262) 658 85 94

E-mail: vitrabathtubs.export@eczacibasi.com.tr

www.vitrakuvet.com.tr