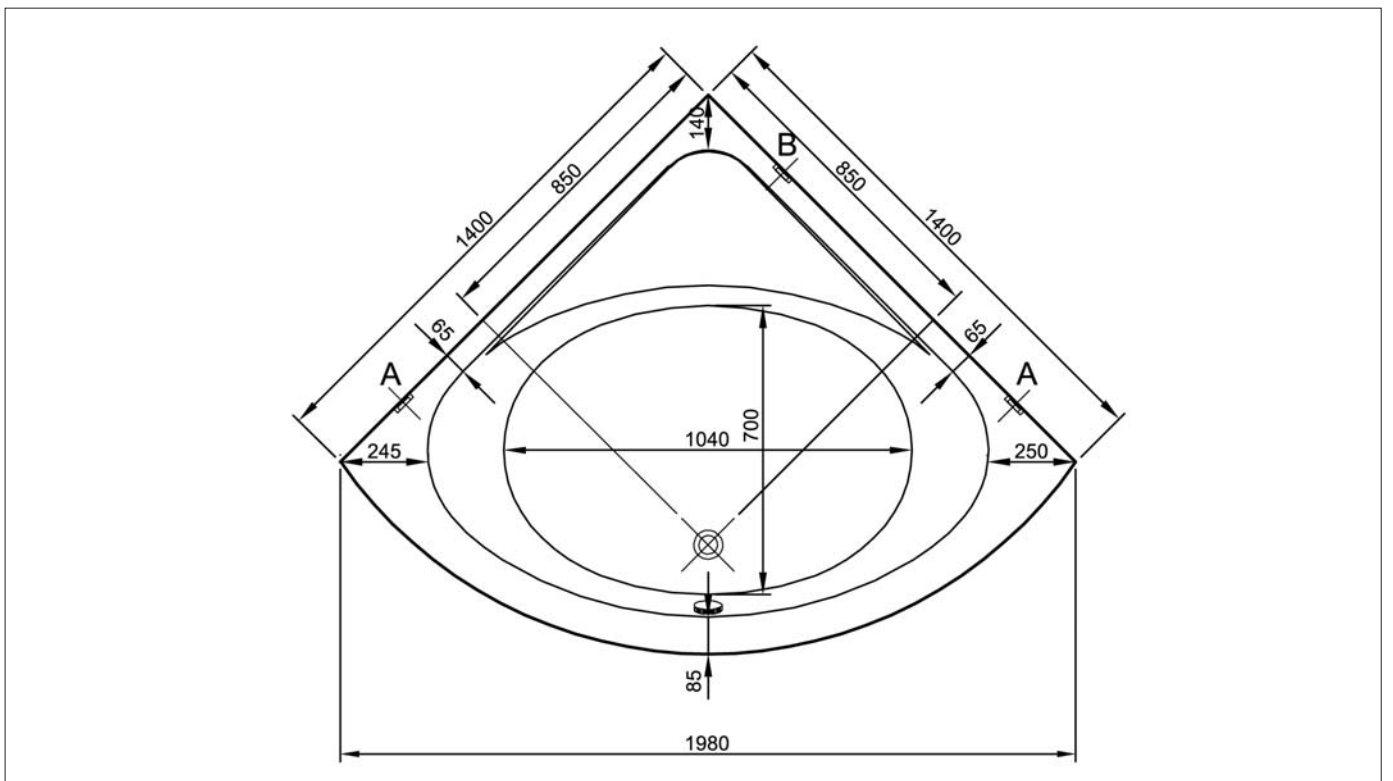


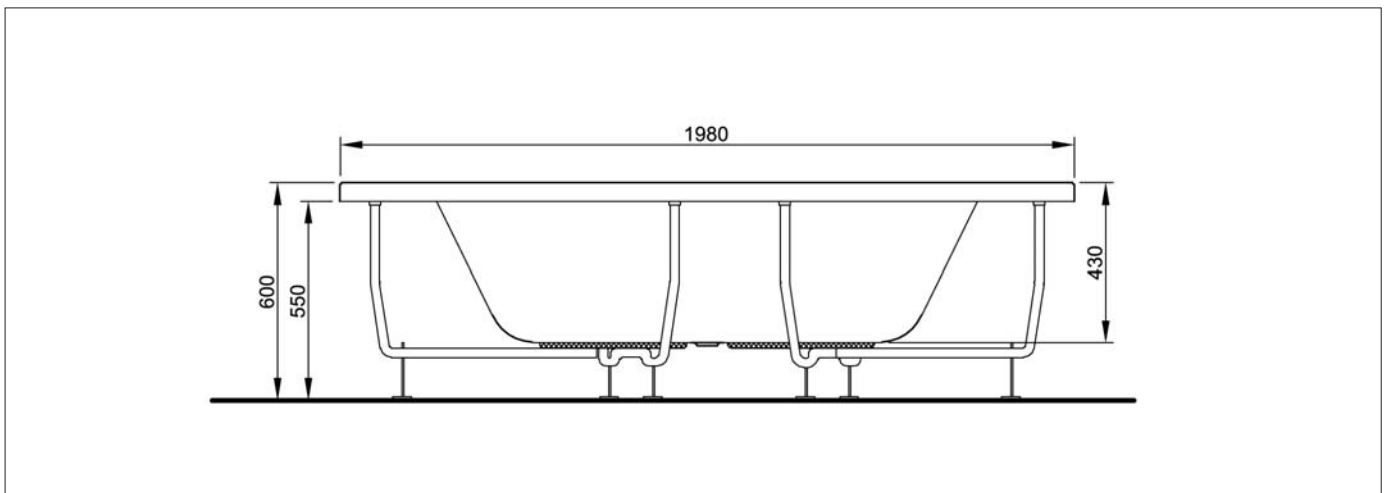
NEON CORNER 140x140 cm

VitrA®

Size (cm) : 140x140
Height (cm) : 60
Weight (kg) : 33
Front Panel Weight (kg) : 6.1
Side Panel Weight (kg) : -
Volume (lt) : 240
Available massage systems : Duo Maxi
Duo Soft
Aqua Maxi
Aqua Soft
Aqua Soft Easy



Plan



Front View



Detail A



Detail B

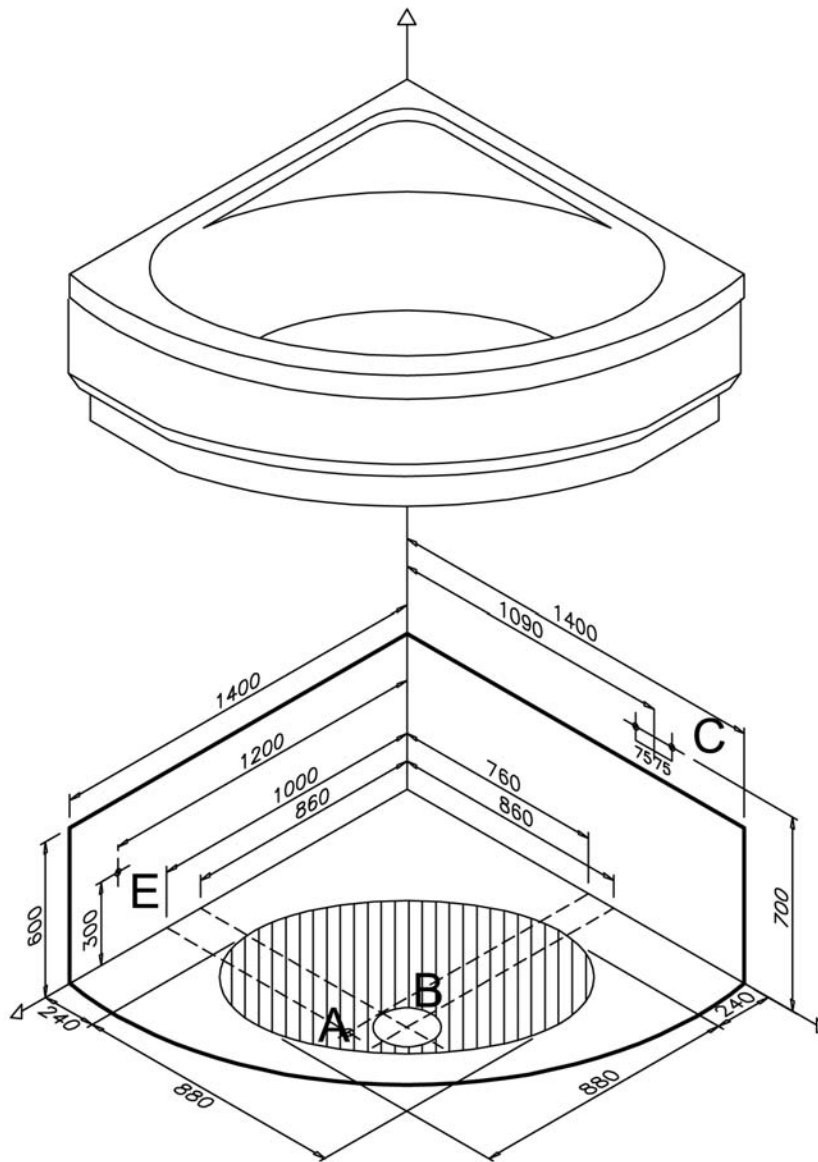
- As shown in Figure Plan, the wall hangers (details A-B) are used to fix the product to the wall. It is suggested to use the wall hangers to rigid the bathtub.

Points to Notice:

- An elbow and a waste connection hose of 50 mm. will be delivered with the product but an edge lath and other accessories are not included.
- The place where the product will be installed should be straight.
- An airing and access window should be left if the hydromassage bathtub is installed without panels.
- During the installation of the panels, the adjustment of the leg set should be carried out according to the height of the panel.
- The electrical system is running with 220 volt (with earth connection). For its connection a 3x2,5 mm. cable should be used.
- The product should be protected with an appropriate ampere fuse (for Duo Maxi System 20 ampere, for Duo Soft System 16 ampere, for Aqua Maxi and Aqua Soft Systems 10 ampere) and the amper fuse should be closed when it is not used.
- It is requested just to use wall taps with this product.
- The faucet should not be applied on the pump of the hydromassage bathtub.
- The spout should be min 17 cm. if the faucets are installed to the wall.
- Handgrip application for this product is not available.
- For the cleaning of the acrylic bathtub look at the User Manual.
- Waste connection fuse, wall hangers and user manual are delivered with the product.

Faucet Applications

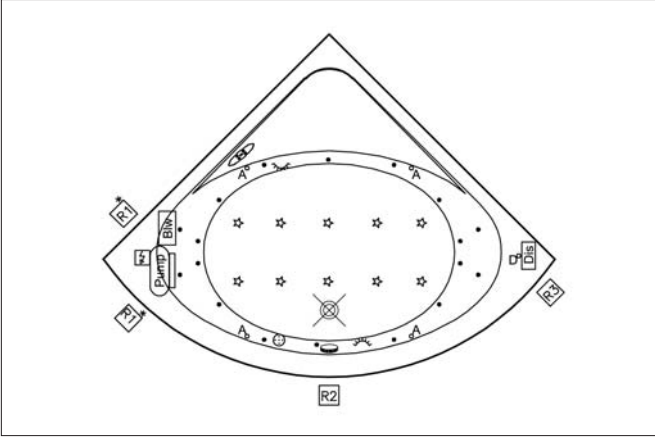
ANY APPLICATION OF TABS ON THIS BATHTUB IS NOT POSSIBLE.



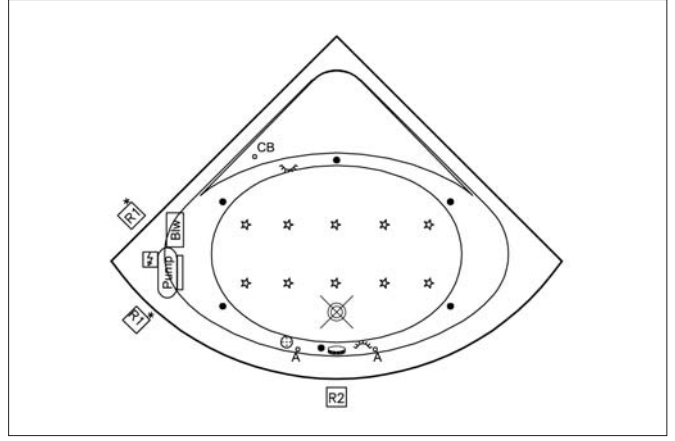
- ☑ : The area where the waste outlet (ø 50 mm) can be placed in.
- A** : Ideal position of the waste outlet (ø 50 mm). The end point of the waste outlet should not be cut out, and should be left at least 50 mm. above the surface.
- B** : The area (ø 200 mm.) where the waste outlet should not be left.
- C** : Hot & cold water inlet for the wall taps.
- D** : Hot & cold water inlet for the taps on the bathtub.
- E** : Measures for electrical connection of whirlpool tubs.

There is no need to leave additional space for the silicone during the installation process. It is enough to prepare the required area according to the size of the product.

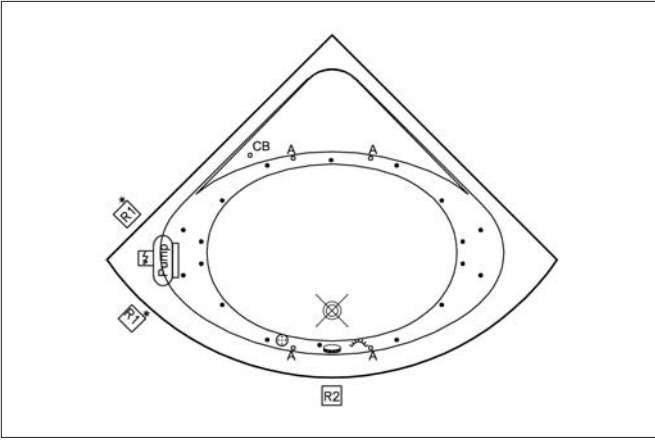
Massage Systems



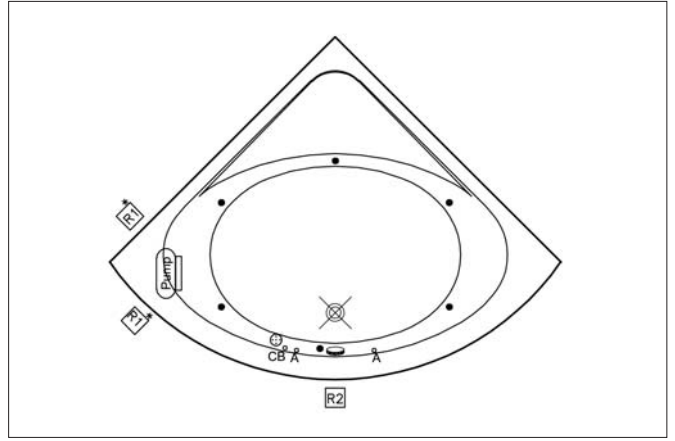
Duo Maxi



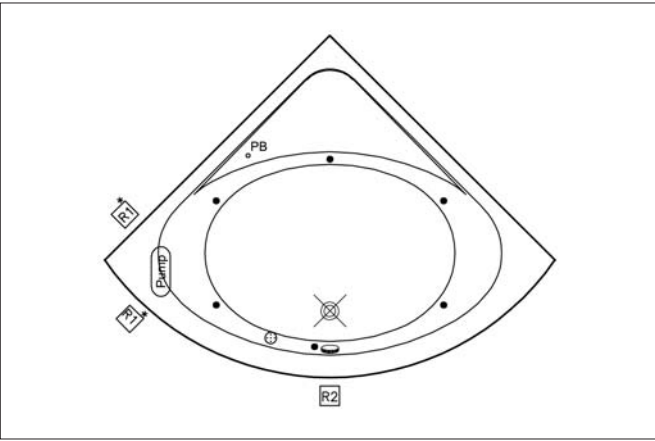
Duo Soft



Aqua Maxi



Aqua Soft



Aqua Soft Easy

IMPORTANT!

- For the electrical connection of the hydromassage bathtubs, earth connection is necessary.
- The cable connection of the hydromassage bathtubs should be applied as shown in the Figure.
- Check whether the yellow-green earth cables bound with the metal parts placed under the hydromassage bathtubs are connected to all legs.

If the bathtub is used without panels, the following airing and access windows should be applied:

- R1** Access window (min. 400x400 mm.)
- R1*** Airing and access window (min. 400x400 mm.)
- R2** Access window (min. 400x400 mm.)
- R2*** Airing and access window (min. 250x250 mm.)
- R2** Access window (min. 400x400 mm.)

Pump	Disinfection Tank Lid
Electronic Control Panel	Air Jets
Transformer	Waste
Blower	Water Jets
Control Button	Micro Water Jets
Air Controller	Underwater Light
Push Button	Water Suction Filter